



Installation, Precautions & Servicing

This product is only suitable for well insulated spaces or occasional use

MODELS

E-FX & E-FX Lite

1000

1300

1500

1800

Important

Please bear in mind the weight of the fire before removal from the packaging and installation.
Consider if help is required.

Carefully remove the fire from the packing checking neither the heater nor the power cable has been damaged during transport. Do not operate the fire if damaged.

The accessories are found in a box that is packed at the side of the fire.

Always read this manual first before attempting to install or use and keep in a safe place.

Your fire is guaranteed for three years from the date of purchase.

ALL INSTRUCTIONS MUST BE HANDED TO END USER FOR SAFE KEEPING



Contents

Important Safety Information and Warnings	2
UCKA Declaration	3
CE Declaration	4
Technical Specification	4
Installation Instructions	5
Non Reflective Rear Screen Option	8
Fuel Effects	10
Glass Fitting & Removal	10
Information Requirements	12
Maintenance & Trouble Shooting	13
Wiring Diagrams	14

Recycling



RoHS
compliant

Registration No WEE/DH1656ZW

In accordance with European Directive 2012/19/ EU, waste electrical and electronic equipment (WEEE) must not be disposed of with household waste.

Please recycle responsibly.

Important Safety Information and Warnings

- **WARNING:** In order to avoid overheating, do not cover the heater.
- For indoor use only.
- Do not use the fire in the vicinity of a bath, shower or swimming pool.
- Never use the fire to dry laundry.
- The heater must not be located immediately below a socket outlet.
- The use of an extension lead is not recommended.
- This appliance can be used by children aged from 8 years and above and persons with reduced physical, sensory or mental capabilities or lack of experience and knowledge if they have been given supervision or instruction concerning use of the appliance in a safe way and understand the hazards

involved. Children shall not play with the appliance. Cleaning and user maintenance shall not be made by children without supervision.

- Children of less than 3 years should be kept away unless continuously supervised
- Children aged from 3 years and less than 8 years shall only switch on/off the appliance provided that it has been placed or installed in its intended normal operating position and they have been given supervision or instruction concerning use of the appliance in a safe way and understand the hazards involved.
- Children aged from 3 years and less than 8 years shall not plug in, regulate and clean the appliance or perform user maintenance.
- Some parts of this product can become very hot and cause burns. Particular attention must be given where children and vulnerable people are present
- Caution should be applied to ensure that children do not play with the fuel effects.
- As with any electrical appliance whilst the instructions aim to cover as many eventualities as possible, caution and common sense should be applied when operating your appliance, particularly in the vicinity of small children.
- **CAUTION:** The heater is fitted with an automatic cut out to prevent any damage due to overheating. The element will continually and automatically cut out if the airflow is obstructed. **Never** cover the air outlets. To reset, switch the fire off, disconnect from the mains supply, remove the cause of the overheating. Allow to cool for a suitable period then switch the fire back on.
- **CAUTION:** In order to avoid a hazard due to inadvertent resetting of the thermal cut out, the appliance must not be supplied through an external switching device, such as a timer, or connected to a circuit regularly switched on and off by a utility.

Where a chimney is not blocked off completely, any draw will cause the heater to cut out during use. Care should also be taken when fitting into a cavity wall in case of damp or draft with external air vents fully sealed

UKCA Declaration

Trade name: E-FX

Ratings: 220-240 Vac, 50Hz Class 1

Product Type: Electric Fire (fan heater)

Requirements:

BS-EN 60335-2-30:2009 + A11:2012

BS-EN 60335-1:2012 + A11:2014 + A13:2017 + A1:2019 + A14:2019 + A2:2019

BS-EN 55014-1:2017

BS-EN 55014-2:2015

BS-EN61000-3-2:2014

BS-EN 61000-3-3:2013

Manufactured by: Flamerite Fires Ltd. Greenhough Road, Lichfield. Staffs. WS13 7AU. UK

CE Declaration

Trade name: E-FX

Ratings: 220-240 Vac, 50Hz Class 1

Product Type: Electric Fire (fan heater)

Requirements:

EN 60335-2-30:2009 + A11:2012

EN 60335-1:2012 + A11:2014 + A13:2017 + A1:2019 + A14:2019 + A2:2019

EN 55014-1:2017

EN 55014-2:2015

EN61000-3-2:2014

EN 61000-3-3:2013

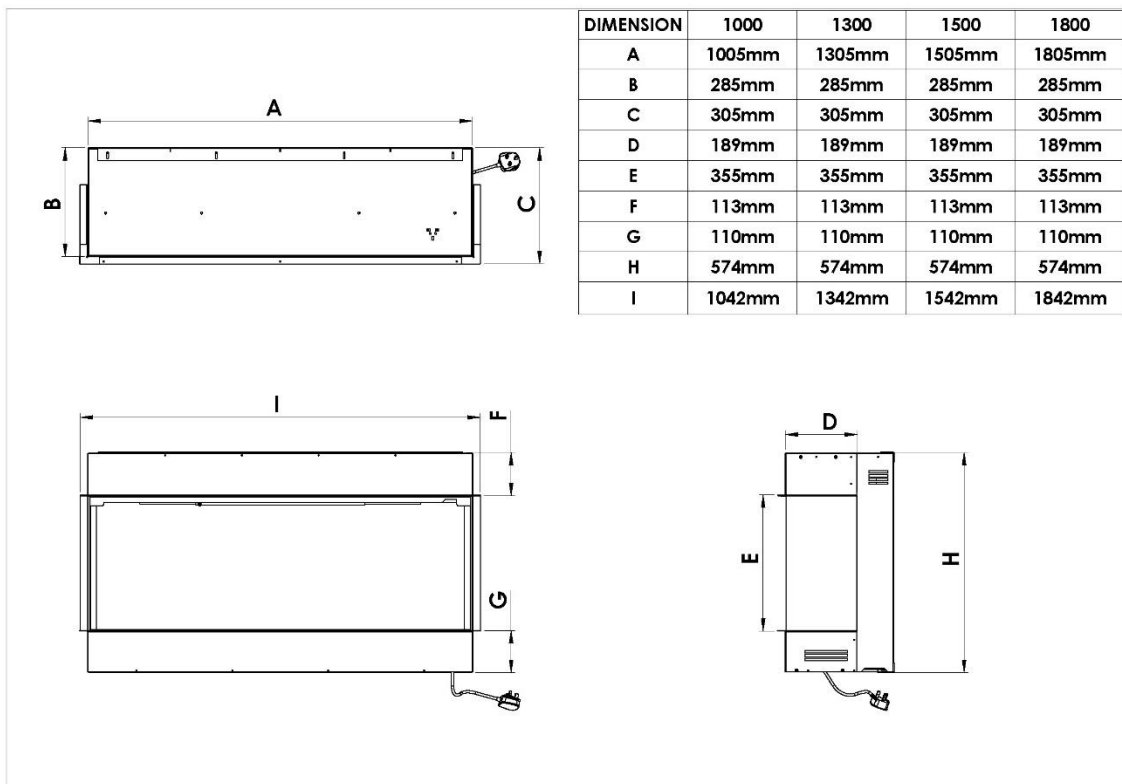
Manufactured by: Flamerite Fires Ltd. Greenhough Road, Lichfield. Staffs. WS13 7AU. UK

Technical Specification

A 230V 13A 50Hz supply is required.

Maximum power consumption: 1500 Watts

A 1.8 metre lead with a BS1363 plug containing a BS1362 13A fuse is supplied with this appliance.



Installation Instructions

WARNING

DO NOT TWIST, FORCE OR SQUEEZE THE FIRE DURING THE INSTALLATION PROCESS.

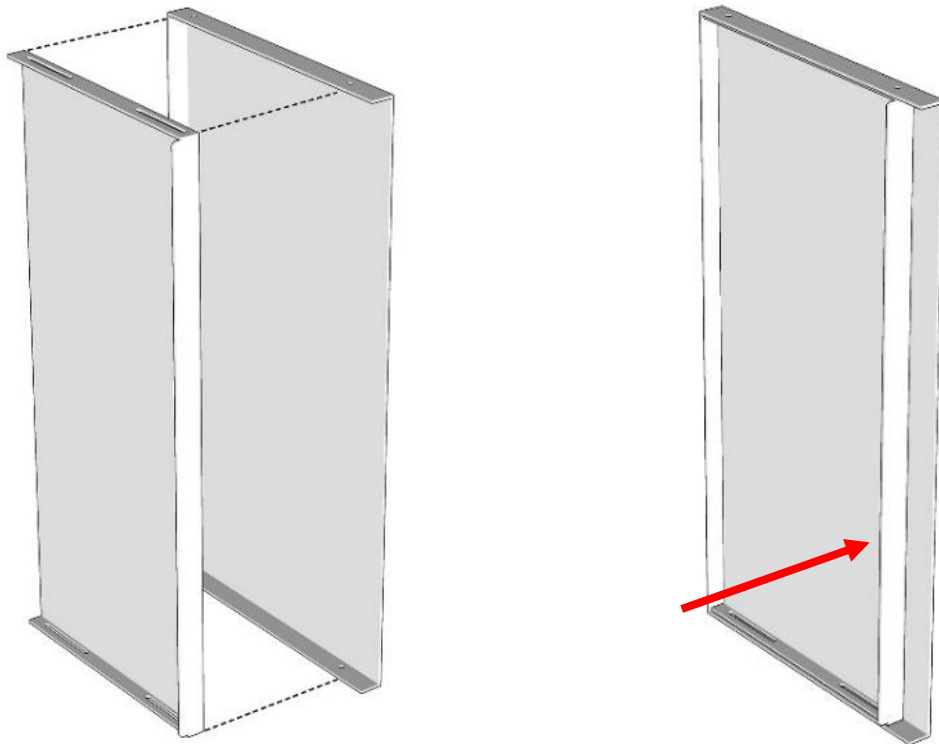
THERE MUST BE ENOUGH CLEARANCE FOR THE FIRE TO COMFORTABLY FIT INSIDE OR AGAINST A WALL. DO NOT SQUEEZE INTO AN OPENING AS THIS MAY DEFORM THE CASE AND STOP THE GLASS FROM MOVING CORRECTLY.

THE FIRE MUST BE WELL SUPPORTED IN OR ON ANY STRUCTURE. NEVER SECURE TO JUST PLASTER BOARD ALONE.

A WALL SUPPORT OR LINTEL SHOULD BE FITTED AT THE REQUIRED HEIGHT TO ENSURE THE APPLIANCE DOES NOT SUPPORT THE WEIGHT OF THE FINISHED WALL OR CHIMNEY BREAST.

E-FX Side panels for 1 or 2 sided corner fitting.

If fitting as a 1 or 2 sided corner fire, blanking panels will need to be fitted. Each blanking panel consists of two parts fitted directly over the side glass. If you need to fit the blanking panel(s) follow the instructions and images below.

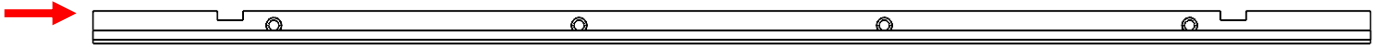


- The right side blanking panel is shown above as you look at the fire.
- Place together as though you have formed a tray with an edge/return on each of the four sides
- Slide onto the fire so **the forward edge/return of the inner panel** touches the glass panel edge.
- Fix using the four screws, two on the top and bottom but make sure the inner panel and the glass have free movement to slide forwards and backwards

Fitting E-FX Fire onto a wall or into a structure.

If purchased as a fire only or as a standard wall mount suite, the height at which you may wish to fix the fire in or on the wall is up to you.

When purchased as part of a E-FX Media Wall, refer to those instructions. If purchased with a Plinth or Contemporary legs, the height you will need to fit the **top of the lower fire bracket** to the floor is in the table below.



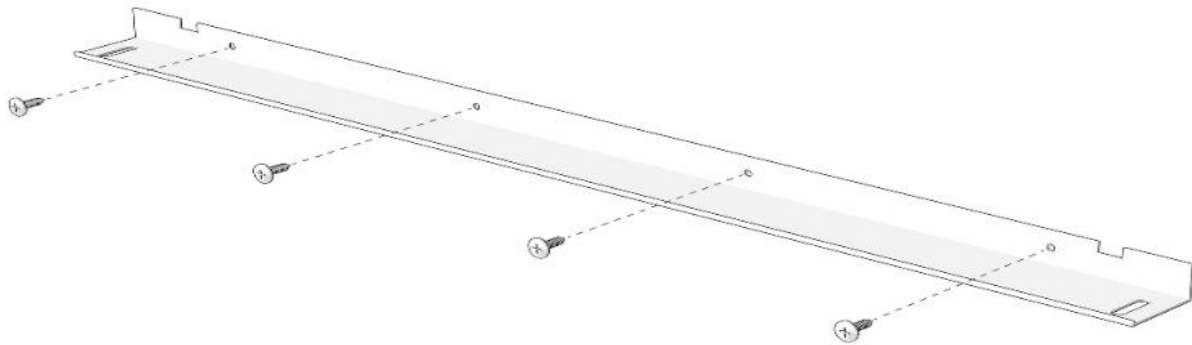
Product	Standard	Contemporary Legs	Plinth
E-FX Lite 1000	N/A	230mm	265mm
E-FX Lite 1300	N/A	230mm	265mm

Take the following steps securing your fire firmly into position and onto a wall. Both top and lower fixing brackets come already attached to the fire. The lower bracket will have to be removed to begin the process.

Lower Bracket

Fixings	1000	1300	1500	1800
60mm screws	4	4	4	4
M10 rawl plugs	4	4	4	4
M6 bolts	2	2	2	2
M6 washers	2	2	2	2

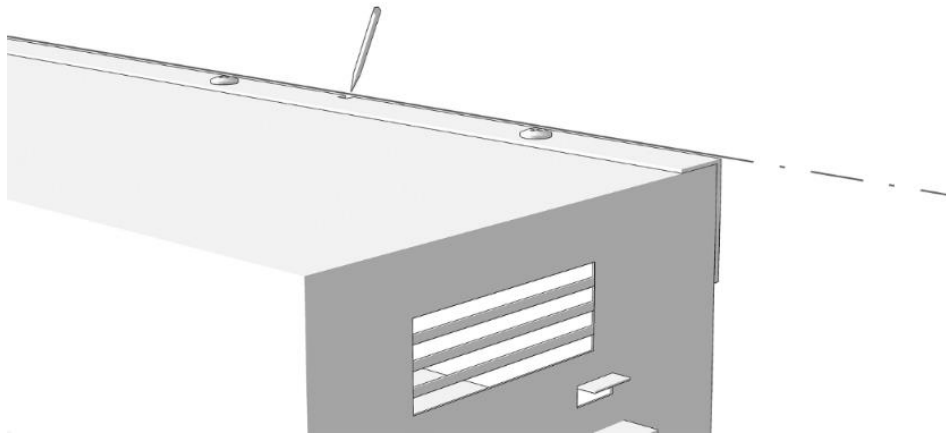
Remove the bolts and washers (remove the lower bracket only). Mark up and drill the holes with an M10 bit and fit the rawl plugs. Using the screws, secure the bracket to the wall.



Top Bracket

Fixings	1000	1300	1500	1800
60mm screws	3	3	3	4
M10 rawl plugs	3	3	3	4
13mm screws	4	4	4	4

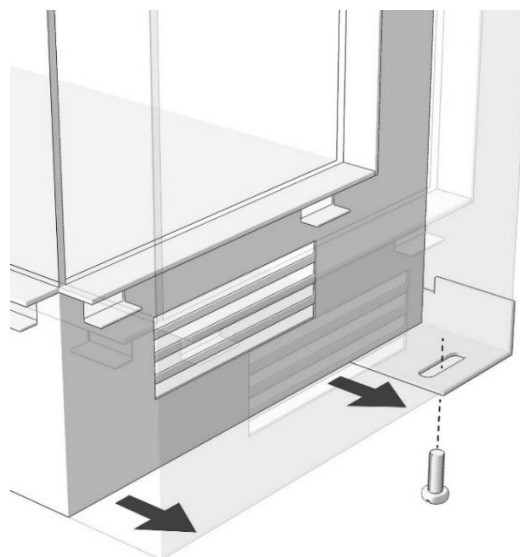
A second person will be required. For now, leave the top bracket attached. Place and hold the fire on the lower bracket and refit the bolts and washers through the slots back into the fire. Keeping the fire firmly pushed against the wall, mark across the length of the top bracket and into the slots above each hole. Once again remove the bolt and washers and place the fire onto the floor.



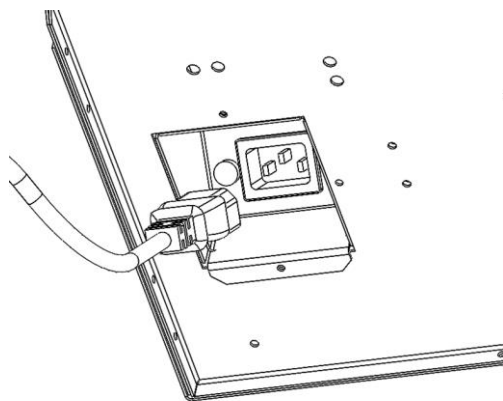
Remove the screws and top bracket from the fire. Using it as a template mark the fixing holes on the wall, drill the holes with an M10 bit and fit the rawl plugs. Using the 60mm screws fix the bracket to the wall.

Secure the fire onto the brackets

Place and hold the fire on the lower bracket and screw the top bracket back onto the fire with the self-tappers. At this point you will be able to level the fire accordingly when refitting the M6 bolts and washers through the slots of the lower bracket and back into the fire.



Before any further work is completed now your fire is secure, make sure the mains cable is tightly fitted underneath the fire.



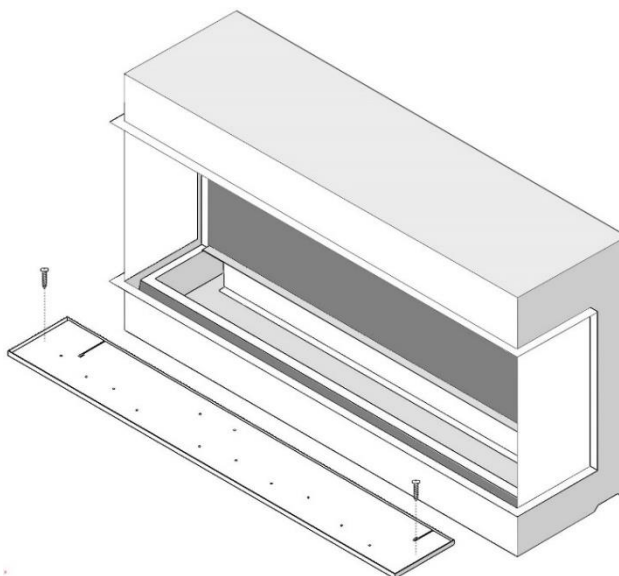
E-FX Non Reflective Rear Screen Option

Not available with E-FX Lite

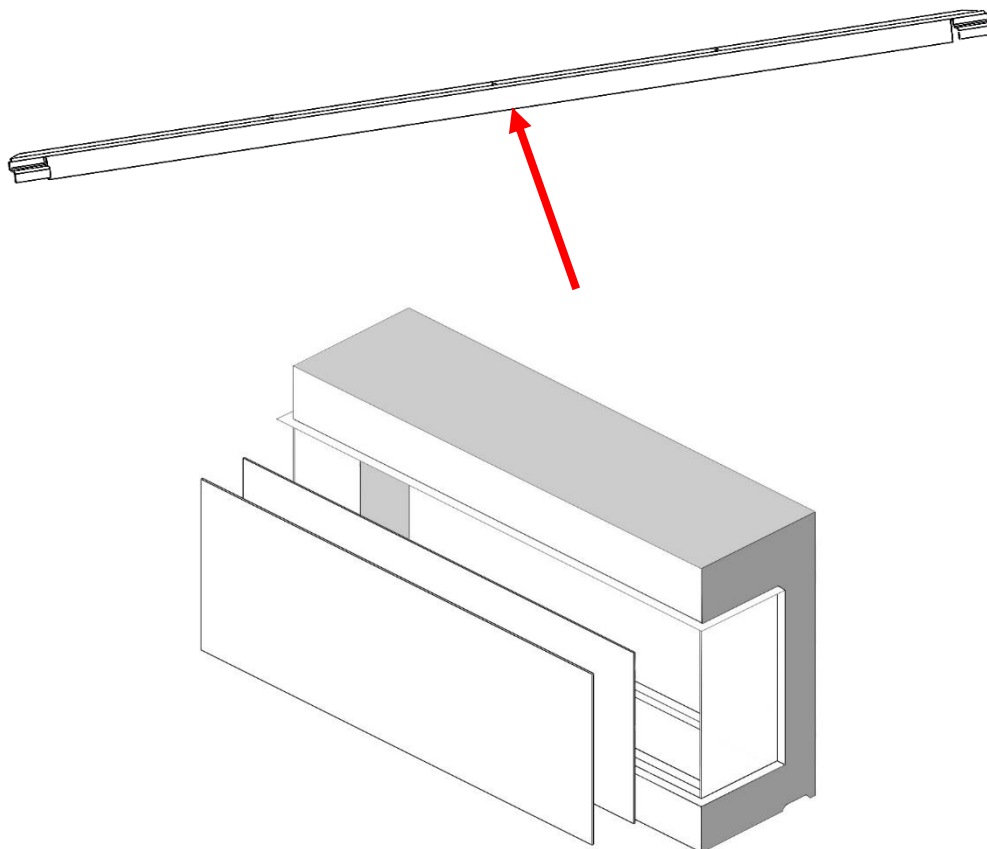
As standard one of the two rear screens in the E-FX fire has a reflective coating to mirror the log effect. When the fire is on, the flame simulates a 3 dimensional burn between the actual log effect and the reflection generated by the coating. If your preference is non-reflective, the glass with the reflective coating can be removed leaving only the projection screen in place. This is for E-FX fire only.

WARNING
BEFORE ANY MAINTENANCE IS UNDERTAKEN, ALWAYS DISCONNECT
THE FIRE FROM THE MAINS POWER SUPPLY.

To remove the fuel bed, remove the two screws at either side. Gently lift the right side, you will need to disconnect a cable from it to the circuit board below the connector marked **A** on the top of the fuel bed. Once this is done, you may now carefully remove the fuel bed.



You will need to carefully remove both screens, to do this unscrew the top bracket holding them in place.



Using the foam tape provided in the accessory pack, apply across the length of the top bracket's **front face** to keep the projection screen secure. Now the reflective glass screen has been removed, screw the top bracket back into place and add the projection screen. Place the fuel bed back into the fire, reconnect the cable **A** underneath and replace both the screws at either side.

Fuel Effects

WARNING: DC SUPPLY 12V

IMPORTANT: FUEL EFFECTS MUST BE POSITIONED ACCORDING TO THE E-FX LOG INSTRUCTION BOOKLET.

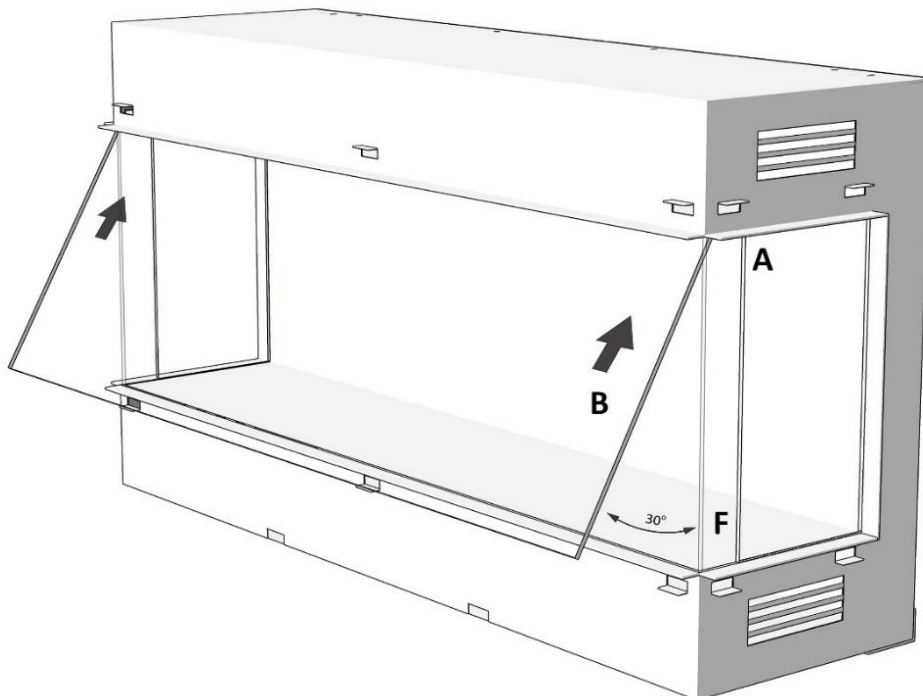
CARE MUST BE TAKEN TO ENSURE THE CHANNEL AT THE FRONT OF THE FIRE IS NOT OBSTRUCTED. ANYTHING DROPPED IN DURING FITTING OF THE FUEL EFFECTS, MUST BE REMOVED BEFORE INSTALLING THE FRONT GLASS PANEL.

Glass Fitting & Removal

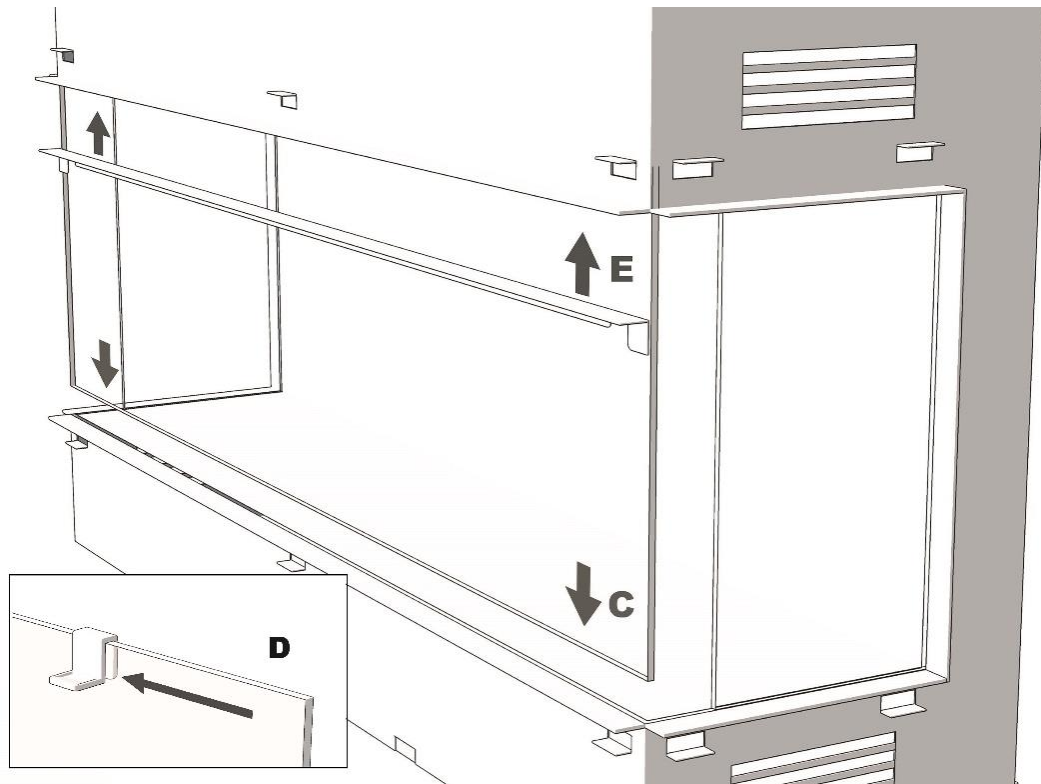
We recommend two persons to fit the EFX 1500 & 1800 glass

Fitting the front glass

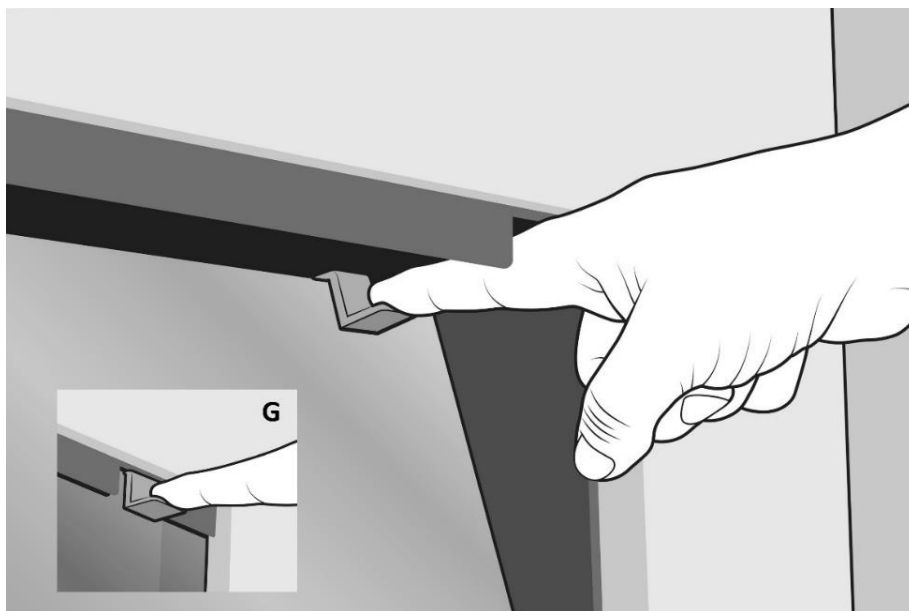
Using the images below, push the side glass (A) back towards the rear of the case. You will notice a long gap on the underside of the opening in front of the heater grills. At an angle of approximately 30 degrees, push the glass up into this void (B) then straighten making sure the bottom of the glass clears the lower edge of the fire opening. Carefully lower into the large channel that runs across the front avoiding the dampers (C)



Place the handle (D) onto the top right-hand side of the glass. The upper glass rail is magnetic and will easily fix into place along the top of the opening (E). Adjust the position of the handle (D) to fit into the gap on the rail.



With the front glass tilted rearwards pull the side glass forwards (F). To open and close the front glass panel, place your index finger on the handle as shown in the picture (G). You may finely position the front and side glass panels to give the best possible fit and finish. Make sure the glass glides forwards and backwards with ease.



The glass can be cleaned with a soft cloth and non-abrasive cleaner

Information Requirements

Information requirement for electric local space heaters

E-FX

Model identifier (s)		1000	1300	1500	1800	
Item@ 240v 50hz	Symbol	Value	Value	Value	Value	Unit
Heat output						
Nominal heat output	Pnon	1.5	1.5	1.5	1.5	kW
Minimum heat output(indicative)	Pmin	0.75	0.75	0.75	0.75	kW
Maximum continuous heat output	Pmax,c	1.5	1.5	1.5	1.5	kW
Auxiliary electricity consumption						
At normal heat	elmax	0.0312	0.0423	0.0437	0.0658	kW
At minimum heat	elmin	0.0312	0.0423	0.0437	0.0658	kW
In stand by	elSB	0.0005	0.0005	0.0005	0.0005	kW
Type of heat output/ room temperature control						
With distance control option						Yes
Room temperature control, with open window detection						Yes
Adaptive Start						Yes
With electronic room temperature control plus week timer						Yes
Contact Details:	Flamerite Fires Ltd. WS13 7AU. UK. www.flameritefires.com					

E-FX LITE

Model identifier (s)		1000	1300	1500	1800	
Item@ 240v 50hz	Symbol	Value	Value	Value	Value	Unit
Heat output						
Nominal heat output	Pnon	1.5	1.5	1.5	1.5	kW
Minimum heat output(indicative)	Pmin	0.75	0.75	0.75	0.75	kW
Maximum continuous heat output	Pmax,c	1.5	1.5	1.5	1.5	kW
Auxiliary electricity consumption						
At normal heat	elmax	0.0300	0.0413	0.0421	0.0656	kW
At minimum heat	elmin	0.0300	0.0413	0.0421	0.0656	kW
In stand by	elSB	0.0005	0.0005	0.0005	0.0005	kW
Type of heat output/ room temperature control						
With distance control option						Yes
Room temperature control, with open window detection						Yes
Adaptive Start						Yes
With electronic room temperature control plus week timer						Yes
Contact Details:	Flamerite Fires Ltd. WS13 7AU. UK. www.flameritefires.com					

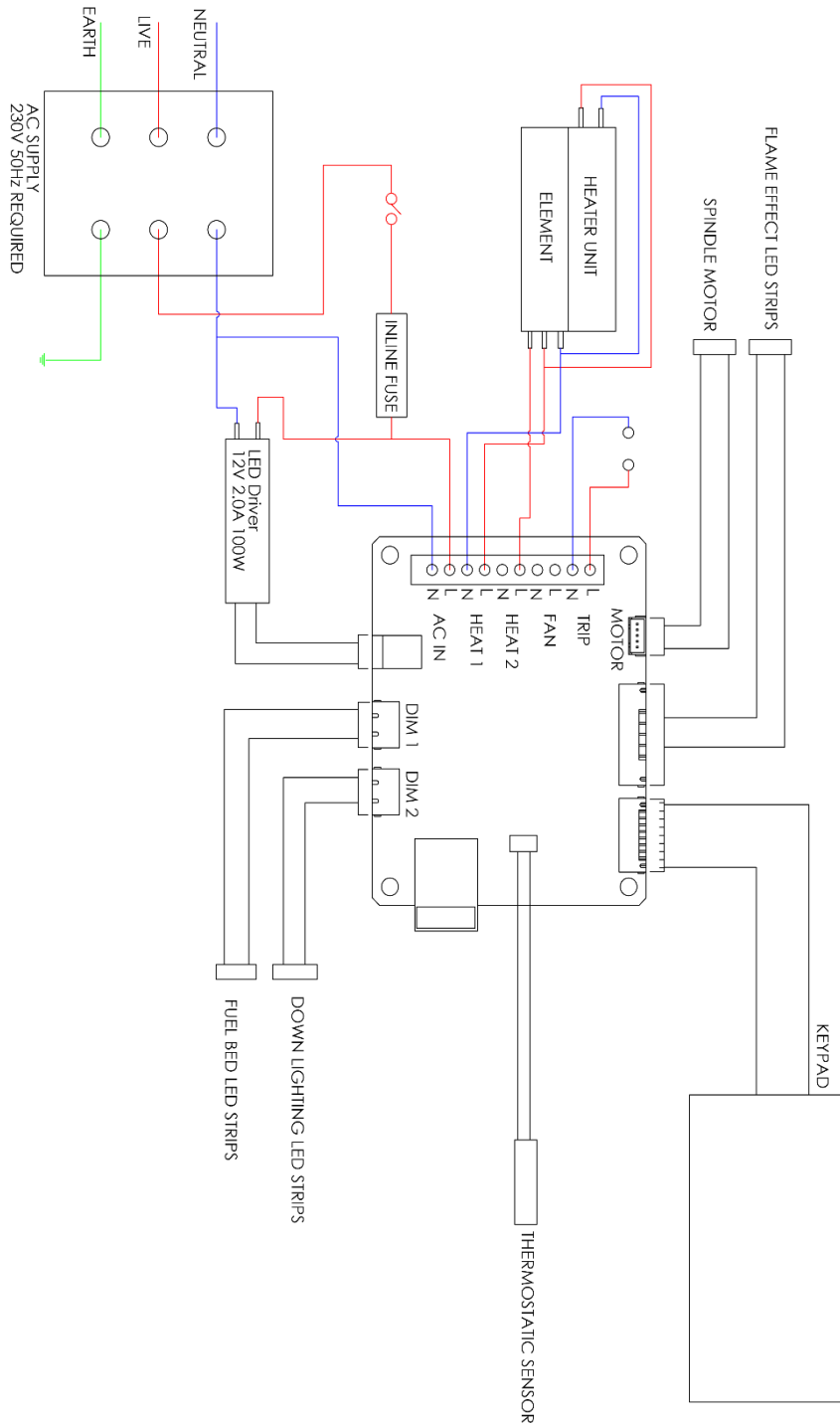
Maintenance & Trouble Shooting

WARNING
BEFORE ANY MAINTENANCE IS UNDERTAKEN, ALWAYS DISCONNECT
THE FIRE FROM THE MAINS POWER SUPPLY.

Maintenance must be undertaken by a Flamerite service engineer or similarly qualified persons in order to avoid a hazard. Replacements part are available from www.flameritefires.com

PROBLEM	POSSIBLE CAUSE	SOLUTION
No power to the fire	Mains cable into the fire	Check the lead is securely plugged into the bottom of the fire
	Circuit Board	Replacement Circuit Board maybe required
	Mains wall socket	Check the socket is switched on
	Fuse	Check fuses; in the mains plug and in the fire, located next to the On/Off switch
No lighting or illumination	Dimmer	Check dimmer range settings
	LED	Replacement LED maybe required
Flame illuminated without movement	Spindle	Check spindle is securely attached to the motor
	Motor	Replacement motor maybe required
Logs not fully illuminated across the fire	Log wiring & connectors	Remove glass; check each log is tightly connected together
	Log	Replacement Log maybe required
	Fuel bed	Replacement LED maybe required
Heater blowing cold air	The safety cut out may have operated	Check for obstruction around the heater. If continually a problem and fitted into a cavity wall or chimney breast, check with installer that the opening has been 100% fully sealed from drawn air and draft
Heat turns off quickly after turning on	Thermostat setting too low	Set thermostat to a higher temperature
Remote Control non responsive	Lost RF connection to fire	Turn fire off & on using the rocker switch next to keypad
	Batteries	Replace with 2 x AAA
Front glass will not glide freely	Debris from fuel bed in channel	Remove
	Fitted incorrectly	Refer to; Installation Instructions

Wiring Diagram



Notes



Manufactured by

Flamerite Fires Ltd Greenhough Road, Lichfield. Staffordshire. WS13 7AU. UK
T +441543 251122 E info@flameritefires.com

